

EXHIBIT A – Pricing Page
ARFQ DCR250000063

Section	Description	Unit of Measure	Estimated Quantity	Unit Cost	Extended Cost
3.1.1	One New Groen FT-80, 80-gallon Steam Kettle – Stationary, 2/3 Jacket Direct Steam or equal	EA	1	\$20,009.86	20009.86
3.1.2	One New Groen FT-40, 40-gallon Steam Kettle – Stationary 2/3 Jacket Direct Steam or equal	EA	1	\$16,117.10	16117.1
3.1.3	One New Crown Steam DC-3 Direct Steam Pressure Steamer Full Size Pan Capacity or equal	EA	1	\$22,827.14	22827.14
Overall Total Cost				\$	58,954.10

Quantities are Estimated for Bid purposes ONLY. This is not a guaranteed sale.

Please note: This information is being captured for auditing purposes.

Vendor must complete the pricing page in full as failure to complete the Pricing Page in its entirety will result in Vendor's bid being disqualified.

The Pricing Page contains a list of the Contract Services and estimated service volume. The estimated purchase volume for each item represents the approximate volume of anticipated purchases only. No future use of the Contract or any individual item is guaranteed or implied

Any product or service not on the Agency provided Pricing Page will not be allowable. The state cannot accept alternate pricing pages, failure to use Exhibit A Pricing Pages will lead to disqualification of vendors bid.

Vendor should type or electronically enter the information into the Pricing Page to prevent errors in the evaluation.

BIDDER /VENDOR INFORMATION:

Vendor Name:	
Address:	

City, St. Zip:	
Phone No.:	
Email Address:	

Vendor Signature:

Date:



State of West Virginia
Agency Request for Quote

Proc Folder: 1580540			Reason for Modification:
Doc Description: Huttonsville Jail - one-time purchase of Kitchen Equipment			
Proc Type: Agency Purchase Order			
Date Issued	Solicitation Closes	Solicitation No	Version
2024-12-09	2024-12-26 10:30	ARFQ 0608 DCR2500000063	1

BID RECEIVING LOCATION

VENDOR

Vendor Customer Code:

Vendor Name : Pueblo Hotel Supply dba Grady's

Address : 170 Greenhorn Drive

Street :

City : Pueblo

State : CO

Country : USA

Zip : 81004

Principal Contact : Samantha Gonzalez

Vendor Contact Phone: 719-542-8853

Extension: 435

FOR INFORMATION CONTACT THE BUYER

Wassef Maazaoui

304-558-9093

wassef.maazaoui@wv.gov

Vendor Signature X *Samantha Gonzalez*

FEIN# 84-0702763

DATE 12/23/2024

All offers subject to all terms and conditions contained in this solicitation

ADDITIONAL INFORMATION

The West Virginia Division of Administrative Services is soliciting bids on behalf of the West Virginia Division of Corrections and Rehabilitation, Huttonsville Correctional Center & Jail to establish a contract for the one-time purchase of Kitchen Equipment or equal.

INVOICE TO		SHIP TO	
DIVISION OF ADMINISTRATIVE SERVICES 1124 SMITH STREET SECOND FLOOR CHARLESTON US	WV	HUTTONSVILLE CORRECTIONAL CENTER PO BOX 1 109 HCC BLVD HUTTONSVILLE US	WV

Line	Comm Ln Desc	Qty	Unit Issue	Unit Price	Total Price
1	Groen FT-80, 80gallon Steam Kettle - Stationary or equal	1.00000	EA	\$20,009.86	\$20,009.86

Comm Code	Manufacturer	Specification	Model #
52141500	Groen		FT-80

Extended Description:

One New Groen FT-80, 80-gallon Steam Kettle - Stationary, 2/3 Jacket Direct Steam or equal

INVOICE TO		SHIP TO	
DIVISION OF ADMINISTRATIVE SERVICES 1124 SMITH STREET SECOND FLOOR CHARLESTON US	WV	HUTTONSVILLE CORRECTIONAL CENTER PO BOX 1 109 HCC BLVD HUTTONSVILLE US	WV

Line	Comm Ln Desc	Qty	Unit Issue	Unit Price	Total Price
2	Groen FT-40, 40-gallon Steam Kettle - Stationary or equal	1.00000	EA	\$16,117.10	\$16,117.10

Comm Code	Manufacturer	Specification	Model #
52141500	Groen		FT-40

Extended Description:

One New Groen FT-40, 40-gallon Steam Kettle - Stationary 2/3 Jacket Direct Steam or equal

INVOICE TO		SHIP TO	
DIVISION OF ADMINISTRATIVE SERVICES 1124 SMITH STREET SECOND FLOOR CHARLESTON US	WV	HUTTONSVILLE CORRECTIONAL CENTER PO BOX 1 109 HCC BLVD HUTTONSVILLE US	WV

Line	Comm Ln Desc	Qty	Unit Issue	Unit Price	Total Price
3	Crown Steam DC-3 Direct Steam Pressure Steamer Full Size	1.00000	EA	\$22,827.14	\$22,827.14

Comm Code	Manufacturer	Specification	Model #
52141500	Crown		DC-3

Extended Description:
One New Crown Steam DC-3 Direct Steam Pressure Steamer Full Size Pan Capacity or equal

SCHEDULE OF EVENTS		
Line	Event	Event Date
1	Questions due by 2:00pm EST	2024-12-17

	Document Phase	Document Description	Page
DCR250000063	Final	Huttonsville Jail - one-time purchase of Kitchen Equipment	4

To:
 State of West Virginia -
 Department of Administration
 Wassef Maazaoui
 304-558-9093 (Contact)

Project:
 ARFQ-0608-DCR2500000063

From:
 Pueblo Hotel Supply
 Samantha Gonzalez
 dba Grady's
 170 Greenhorn Drive
 Pueblo, CO 81004
 (719)542-8853


Job Reference Number: OPP22686


All quotes are valid within the same month quoted. If purchasing after the month of the quote, manufacturer increases may apply.

Due to current supply chain issues, and unpredictable freight increases, all freight quotes are **estimates only**. Exact freight charge will be calculated and added to invoice at time of actual shipment.

Orders paid by credit card will have a 3.9% processing fee added at time of transaction. This does NOT include customers paying with a government issued card.

Please note: All quotes are confidential not to be shared with anyone other than the intended organization.

Item	Qty	Description	Sell	Sell Total
1	1 ea	KETTLE, DIRECT STEAM, STATIONARY  Groen Model No. FT-80 Kettle, direct steam, 80-gallon capacity, 2/3 jacket, 316 stainless steel liner, 2" TDO, 1/4" perforated strainer, tri-leg open base, stainless steel construction, flanged feet, power aid cover, 25 PSI	\$16,369.45	\$16,369.45
	1 ea	(1) year parts & labor, (10) year hemisphere warranty, standard		
	1 ea	Start-up Program, included at customer's request (See start-up request form document)		
	1 ea	2" Tangent draw-off (TDO), standard		
	1 ea	Etch Marks, 5 gallon increments	\$641.21	\$641.21
	1 ea	Z019653 Faucet, single pantry, with swing spout	\$426.09	\$426.09
	1 ea	119374 Adjustable Flanged Foot, for stationary kettles	\$533.65	\$533.65
	1 ea	Prison Package, contact factory for lead time phone 888-994-7636	\$2,039.46	\$2,039.46
		ITEM TOTAL:		\$20,009.86
2	1 ea	KETTLE, DIRECT STEAM, STATIONARY	\$12,476.69	\$12,476.69

Item	Qty	Description	Sell	Sell Total
		Groen Model No. FT-40 Kettle, direct steam, 40-gallon capacity, 2/3 jacket, 316 stainless steel liner, 2" TDO, 1/4" perforated strainer, tri-leg open base, stainless steel construction, flanged feet, hinged cover, 25 PSI		
	1 ea	(1) year parts & labor, (10) year hemisphere warranty, standard		
	1 ea	Start-up Program, included at customer's request (See start-up request form document)		
	1 ea	2" Tangent draw-off (TDO), standard		
	1 ea	Etch Marks, 4 gallon increments	\$641.21	\$641.21
	1 ea	Z019653 Faucet, single pantry, with swing spout	\$426.09	\$426.09
	1 ea	119374 Adjustable Flanged Foot, for stationary kettles	\$533.65	\$533.65
	1 ea	Prison Package, contact factory for lead time phone 888-994-7636	\$2,039.46	\$2,039.46
			ITEM TOTAL:	\$16,117.10
3	1 ea	STEAMER, PRESSURE, DIRECT STEAM Crown (Middleby) Model No. DC-3 Steamer, direct steam, pressure-type, (3) compartments, 36" cabinet base, independent automatic timer controls with visible and audible signals, automatic shut-off, 304 stainless steel construction, (4) stainless steel legs with adjustable flanged feet, cCSAus, NSF	\$22,208.27	\$22,208.27
	1 ea	Domestic Shipping, inside of North America		
	1 ea	Standard one year limited warranty		
	1 ea	115v/60/1-ph, standard		
	1 ea	35 PSI std		
	1 ea	Left hand hinged doors, standard		
	1 ea	Cabinet base door with locking provision (lock not supplied)	\$242.81	\$242.81
	1 ea	Correctional screws & tack welds (where applicable)	\$376.06	\$376.06
			ITEM TOTAL:	\$22,827.14
			Subtotal	\$58,954.10
			Total	\$58,954.10

Any and all damaged item(s) should be marked as such on delivery ticket and or refused and Grady's Restaurant and Bar Equipment should be notified immediately as to the extent of the damage so that we can address and work toward a solution immediately.

All packaging materials must be retained from damaged item(s) for freight inspector/adjuster claim.

Custom fabricated item(s) are **not** returnable. Buy-out item(s) may be returnable less the manufacturer's restocking fee, freight too and from, as well as any damages that may be incurred. The returned item(s) **must be new and unused.**

Credits for returned item(s) will only be given once the factory has issued credit to Grady's Restaurant and Bar Equipment

Freight is **not** included unless otherwise specified.

Price does **not** included fees, taxes, bond, permit, or licenses unless otherwise specified.



Acceptance: _____ Date: _____

Printed Name: _____

Project Grand Total: \$58,954.10



DIRECT STEAM KETTLE

MODEL FT

Kettle shall be a Groen Model FT (Specify 20, 40, 60, 80, 100, 125 or 150-gallon) stainless steel, 2/3 steam jacketed unit operating from direct steam.

CONSTRUCTION: Kettle shall be of type 316 stainless steel, with solid one-piece welded construction. Unit shall be provided with a heavy, durable bar rim with a continuous seal weld on the underside to ensure maximum durability and sanitation. Unit provided with faucet bracket as standard.

FINISH: Interior of kettle shall be polished to a 180 emery grit finish. Exterior of kettle shall be finished to a bright high buff finish, ensuring maximum ease in cleaning and maintaining brilliant appearance.

ASME CODE: Unit shall be ASME shop-inspected, stamped and registered with the National Board for operation up to a maximum working pressure of 25 PSI.

SANITATION: Unit shall be designed and constructed to be NSF-listed, meeting NSF and all known health department and sanitation codes.

DRAWOFF: Unit shall have a 2" sanitary tangent drawoff which is a 316 stainless steel compression disc drain valve, for easy disassembly without tools. Larger 3" drawoff available. The drain outlet shall be equipped with a removable 1/4" perforated stainless steel strainer.

COVER: Cover shall be one piece stainless steel dome shaped and hinged. Counterbalanced #51 spring assisted cover for 60, 80, 100, 125 and 150 gallon units.

STEAM PRESSURE: Kettle shall operate dependably at any steam pressure between 5 and 25 PSI. Higher working pressures available.

MOUNTING: Unit shall be mounted on an all stainless steel, tubular legs, continuously welded to kettle, with stainless steel adjustable floor flanges. Floor flanges and mounting bolts shall be provided with sanitary covers.

INSTALLATION: Remote steam source required. Steam trap assembly is required and not provided unless ordered as an option. See dimension L on other side for steam inlet size and number.

ORIGIN OF MANUFACTURE: Designed and manufactured in the United States.

PROJECT NAME:

LOCATION:

ITEM NO:

QTY:

MODEL NO:

AIA NO:

SIS NO:

SHORT FORM: Stainless Steel 2/3 Steam Jacketed Kettle, Floor Mounted, Stationary, Direct Steam, 20 to 150-gallon capacities. (model FT shown)



OPTIONS/ACCESSORIES:

- Basket inserts (TRI-BC)
- Water fill faucets
- Higher working pressure
- 3" tangent drawoff
- Cold water cooling
- Steam trap assemblies
- Kettle brush kit
- 1/8" perforated disc strainer
- 1/4" perforated disk strainer
- Solid disc strainer
- Steam regulators
- Contour measuring strip
- Gallon etch marks

Steam Kettles

160169F Revised 04/12

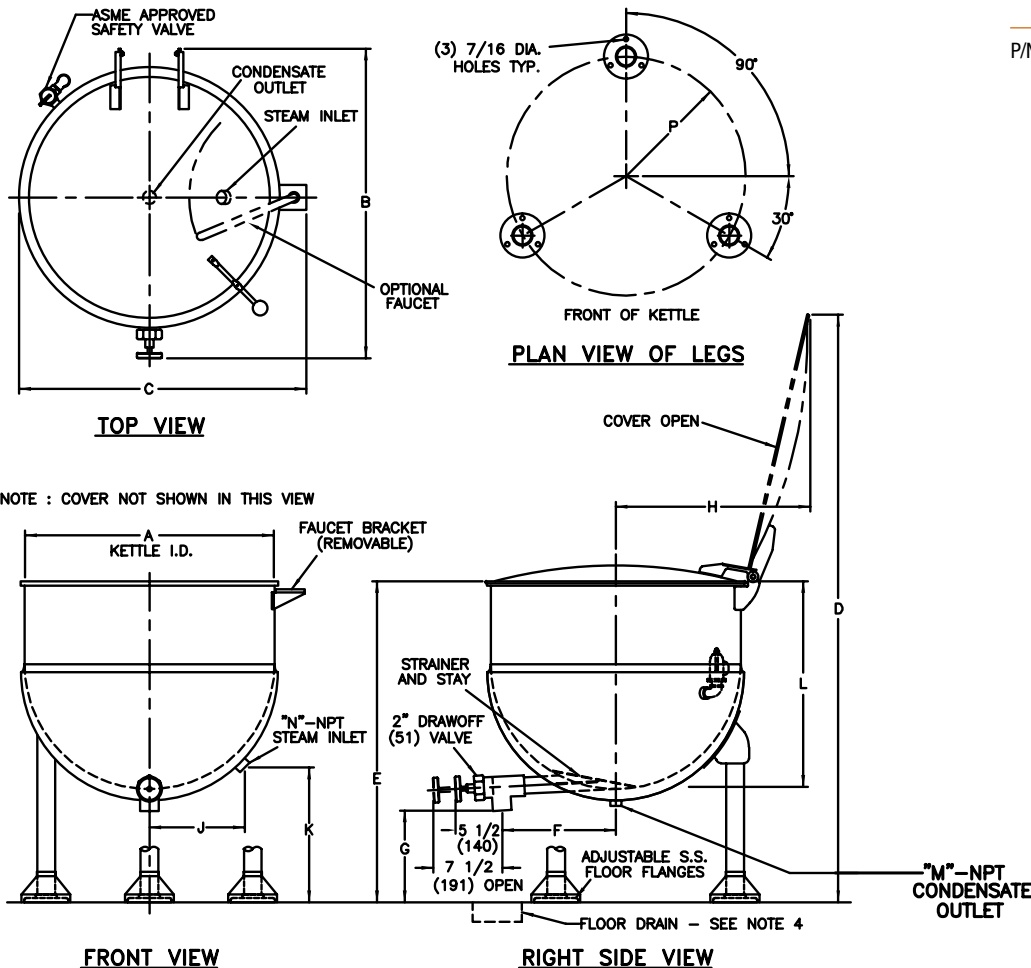


Stainless Steel 2/3 Steam Jacketed Kettle, Floor Mounted, Stationary,
Direct Steam, 20 to 150-gallon capacities. (model PT-40 shown)

MODEL FT

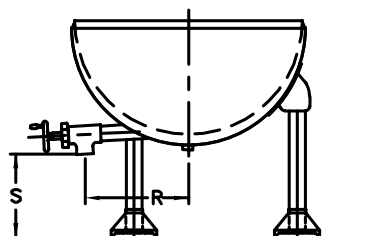


P/N 123001 REV B



NOTES:

1. KETTLE MUST BE SECURELY ANCHORED TO FLOOR. FLOOR FLANGES ARE THREADED AND HEIGHT ADJUSTABLE.
2. SANITARY (1) PIECE DOME COVER SHOWN - FURNISHED ON 20 & 40 GALLON SIZES.
3. MODEL # 51 COUNTER BALANCED COVER FURNISHED ON KETTLES 60 GALLONS AND OVER.
4. POSITION CENTER OF TANGENT DRAWOFF SPOUT 4"-5" OVER FLOOR DRAIN FOR PROPER DRAINAGE.
5. DIMENSIONS IN BRACKETS () ARE MM.



**OPTIONAL 3"
TANGENT DRAWOFF**

TABLE OF DIMENSIONS										
CAP. GAL.	20		40		60		80		100	
DIM.	INCH	MM	INCH	MM	INCH	MM	INCH	MM	INCH	MM
A	20	508	26	660	30	762	32	813	36	914
B	27 1/2	699	33	838	37	940	38	965	40	1016
C	24	610	30	762	34	864	36	914	40	1016
D	59	1499	65	1651	67	1702	73	1854	77	1956
E	36	914	36	914	39	991	43	1092	44	1118
F	12	305	14 1/2	368	15	381	15	381	15	381
G	15 3/4	400	11 3/4	299	11 3/4	299	11 3/4	299	11 3/4	299
H	18	457	25	635	-	-	-	-	-	-
J	8	203	10 1/4	260	11 1/2	292	12 1/4	311	13 1/2	343
K	18 7/8	479	15 3/4	400	16 1/4	413	16 1/2	419	17 1/2	445
L	18 1/2	470	22	559	25	635	29	734	30	762
M	1/2	-	1/2	-	1/2	-	3/4	-	3/4	-
N	1/2	-	3/4	-	3/4	-	1	-	1	-
P	9 1/4	235	11 3/4	299	13 1/2	343	14 1/4	362	15 7/8	403
R	14	356	16	406	17	432	17	432	17	432
S	14 3/4	375	10 3/4	273	10 3/4	273	10 3/4	273	10 3/4	273



DIRECT STEAM KETTLE

MODEL FT

Kettle shall be a Groen Model FT (Specify 20, 40, 60, 80, 100, 125 or 150-gallon) stainless steel, 2/3 steam jacketed unit operating from direct steam.

CONSTRUCTION: Kettle shall be of type 316 stainless steel, with solid one-piece welded construction. Unit shall be provided with a heavy, durable bar rim with a continuous seal weld on the underside to ensure maximum durability and sanitation. Unit provided with faucet bracket as standard.

FINISH: Interior of kettle shall be polished to a 180 emery grit finish. Exterior of kettle shall be finished to a bright high buff finish, ensuring maximum ease in cleaning and maintaining brilliant appearance.

ASME CODE: Unit shall be ASME shop-inspected, stamped and registered with the National Board for operation up to a maximum working pressure of 25 PSI.

SANITATION: Unit shall be designed and constructed to be NSF-listed, meeting NSF and all known health department and sanitation codes.

DRAWOFF: Unit shall have a 2" sanitary tangent drawoff which is a 316 stainless steel compression disc drain valve, for easy disassembly without tools. Larger 3" drawoff available. The drain outlet shall be equipped with a removable 1/4" perforated stainless steel strainer.

COVER: Cover shall be one piece stainless steel dome shaped and hinged. Counterbalanced #51 spring assisted cover for 60, 80, 100, 125 and 150 gallon units.

STEAM PRESSURE: Kettle shall operate dependably at any steam pressure between 5 and 25 PSI. Higher working pressures available.

MOUNTING: Unit shall be mounted on an all stainless steel, tubular legs, continuously welded to kettle, with stainless steel adjustable floor flanges. Floor flanges and mounting bolts shall be provided with sanitary covers.

INSTALLATION: Remote steam source required. Steam trap assembly is required and not provided unless ordered as an option. See dimension L on other side for steam inlet size and number.

ORIGIN OF MANUFACTURE: Designed and manufactured in the United States.

PROJECT NAME:

LOCATION:

ITEM NO:

QTY:

MODEL NO:

AIA NO:

SIS NO:

SHORT FORM: Stainless Steel 2/3 Steam Jacketed Kettle, Floor Mounted, Stationary, Direct Steam, 20 to 150-gallon capacities. (model FT shown)



OPTIONS/ACCESSORIES:

- Basket inserts (TRI-BC)
- Water fill faucets
- Higher working pressure
- 3" tangent drawoff
- Cold water cooling
- Steam trap assemblies
- Kettle brush kit
- 1/8" perforated disc strainer
- 1/4" perforated disk strainer
- Solid disc strainer
- Steam regulators
- Contour measuring strip
- Gallon etch marks

Steam Kettles

160169F Revised 04/12

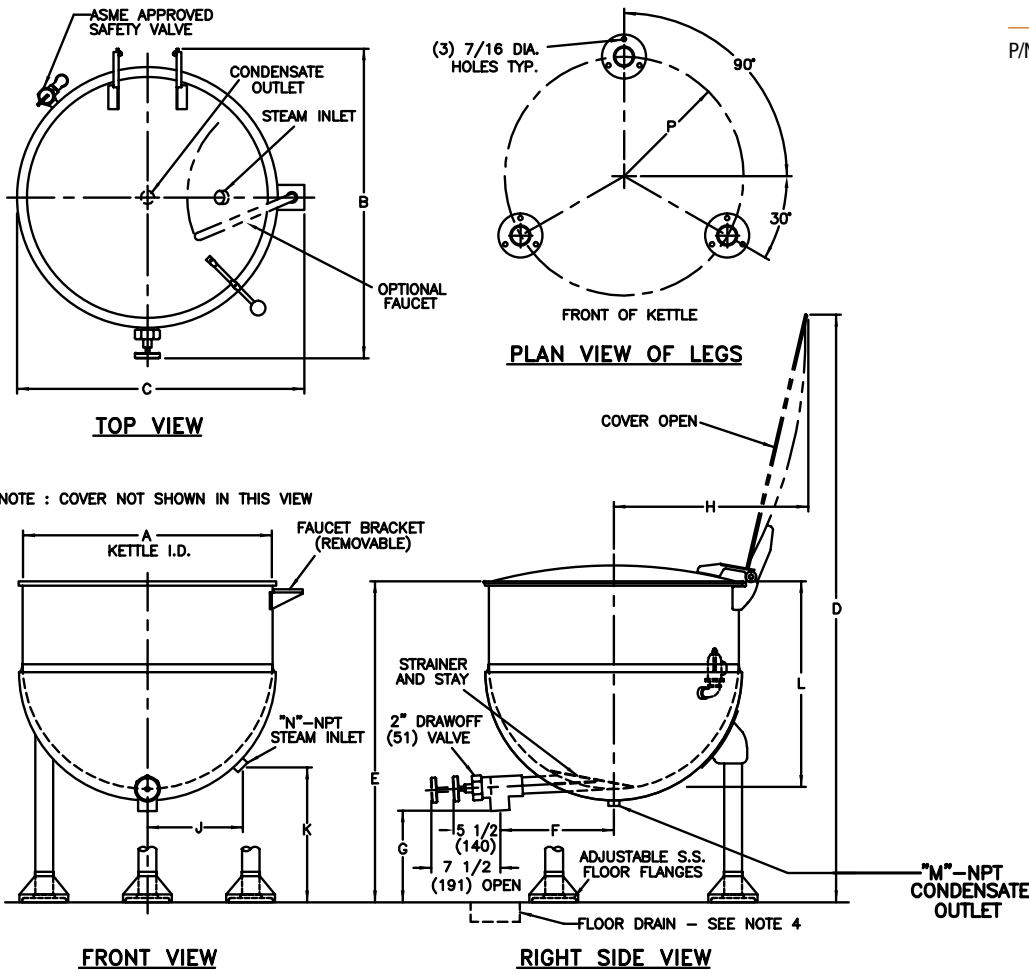


Stainless Steel 2/3 Steam Jacketed Kettle, Floor Mounted, Stationary,
Direct Steam, 20 to 150-gallon capacities. (model PT-40 shown)

MODEL FT

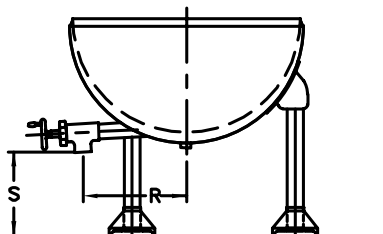


P/N 123001 REV B



NOTES:

1. KETTLE MUST BE SECURELY ANCHORED TO FLOOR. FLOOR FLANGES ARE THREADED AND HEIGHT ADJUSTABLE.
2. SANITARY (1) PIECE DOME COVER SHOWN - FURNISHED ON 20 & 40 GALLON SIZES.
3. MODEL # 51 COUNTER BALANCED COVER FURNISHED ON KETTLES 60 GALLONS AND OVER.
4. POSITION CENTER OF TANGENT DRAWOFF SPOUT 4"-5" OVER FLOOR DRAIN FOR PROPER DRAINAGE.
5. DIMENSIONS IN BRACKETS () ARE MM.



OPTIONAL 3\"/>

TABLE OF DIMENSIONS										
CAP. GAL.	20		40		60		80		100	
DIM.	INCH	MM	INCH	MM	INCH	MM	INCH	MM	INCH	MM
A	20	508	26	660	30	762	32	813	36	914
B	27 1/2	699	33	838	37	940	38	965	40	1016
C	24	610	30	762	34	864	36	914	40	1016
D	59	1499	65	1651	67	1702	73	1854	77	1956
E	36	914	36	914	39	991	43	1092	44	1118
F	12	305	14 1/2	368	15	381	15	381	15	381
G	15 3/4	400	11 3/4	299	11 3/4	299	11 3/4	299	11 3/4	299
H	18	457	25	635	-	-	-	-	-	-
J	8	203	10 1/4	260	11 1/2	292	12 1/4	311	13 1/2	343
K	18 7/8	479	15 3/4	400	16 1/4	413	16 1/2	419	17 1/2	445
L	18 1/2	470	22	559	25	635	29	734	30	762
M	1/2	-	1/2	-	1/2	-	3/4	-	3/4	-
N	1/2	-	3/4	-	3/4	-	1	-	1	-
P	9 1/4	235	11 3/4	299	13 1/2	343	14 1/4	362	15 7/8	403
R	14	356	16	406	17	432	17	432	17	432
S	14 3/4	375	10 3/4	273	10 3/4	273	10 3/4	273	10 3/4	273



Job: _____ Item#: _____

DC



DIRECT STEAM COMPARTMENT COOKER WITH CABINET BASE



- DC-2
- DC-3

OPERATION SHALL BE BY:

Direct non-toxic steam incoming at a minimum of 15 psi (103 kPa) with a flow of 150 psi (68kg) per hour.

A pressure reducing valve shall provide compartment pressure of 6 psi (41 kPa) and a control system is provided to cool the condensate drain.

The control shall be equipped for operate on 115 VAC, 1 Phase 60 Hz.

OPTIONS & ACCESSORIES AT ADDITIONAL COST

- 220 VAC, 1 Phase, 60 Hz (DBVS-1)
- Stainless steel rear panel (SSB-36)
- Stainless steel frame (SSF-36)
- Correctional package
- Wire shelf rack (SSR-PC)
- Ball float trap (BFT)
- Spray and rinse assembly
- Sheet pan supports (SPS-PC1 or SPS-PC2)

STANDARD CONSTRUCTION SPECIFICATIONS

Shall be a Crown Model DC-2 or DC-3, pressure compartment cooker, operating on direct steam.

The cooker shall be constructed of all-welded type 304 #4 finished stainless steel.

The doors shall have a removable inner liner of aluminum plate with full perimeter gasket seal, an outer shell of one piece welded stainless steel, and a wheel-and-screw closing mechanism.

The doors, with a clear opening of 10-1/4" x 26-3/8" (260 mm x 670 mm) shall latch upon closing and open 180 degrees upon latch release. Compartment operation shall be at a maximum pressure of 6 psi (41 kPa).

Each compartment shall be provided with universal pan supports.

Each optional sliding shelf will support two full size (1/1 gastronorm) pans.

The control housing shall be constructed of #4 finish stainless steel with a full-access removable panel.

Each compartment shall be independently controlled by an automatic timer control with visible and audible signals.

At the end of the cooking cycle, the controls automatically shut off and exhaust the incoming steam, drain the condensate from the compartment, and sounds a continuous audible signal until turned off manually.

The compartment cooker shall be mounted on a cabinet base with full perimeter angle frame.

Thermostatically controlled cold water shall automatically condensate exhausted steam into water before releasing it to the drain.

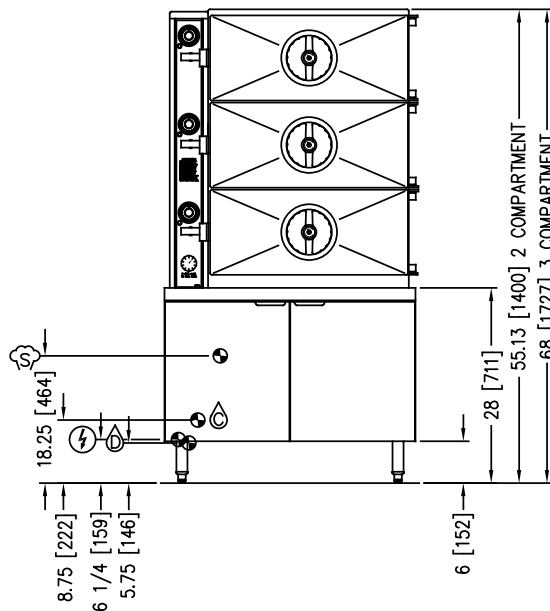
The cabinet shall be all stainless steel #4 finish type 304, hinged doors and 6" (152mm) stainless steel legs fitted with 4 adjustable flanged feet for mounting to the floor.



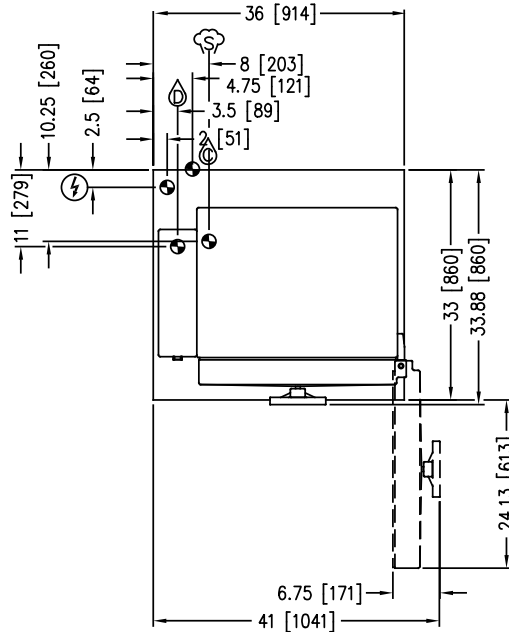
Approval Notes: _____

Models: DC-2 DC-3

DC



REAR FLANGED FOOT DETAIL
 2 EQUALLY SPACED
 Ø7/16" [11mm] HOLES
 ON 2.5" [63mm] B.C.



IN [mm]

3146R3

SERVICE CONNECTIONS

- COLD WATER: 3/8" O.D. tubing at 25-50 PSI (170 - 345 kPa).
 - DRAIN: 2" (51 mm) IPS piped to open floor drain. No solid connection.
 - ELECTRICAL CONNECTION: Unless otherwise specified, field wiring electrical connection to be 120V, 60 Hz, 1 Phase with ground.
 - STEAM SUPPLY: 3/4" (19 mm) female pipe connection for steam supply 15-50 PSI (103-345 kPa)*
- * Pressure reducing valve is required if incoming pressure exceeds 50 PSI (345 kPa)

COMPARTMENT PAN CAPACITY

MODEL	COMPARTMENTS	CAPACITY
DC-2	2	8-16 Pans
DC-3	3	12-24 Pans

**INTENDED FOR COMMERCIAL USE ONLY.
 NOT FOR HOUSEHOLD USE.**



REQUEST FOR QUOTATION
ARFQ DCR250000063
New Groen FT-80 Steam Kettle, Groen FT-40 Steam Kettle and Crown Pressure Steamer
DC-3 or equal

SPECIFICATIONS

1. **PURPOSE AND SCOPE:** The West Virginia Division of Administrative Services is soliciting bids on behalf of the West Virginia Division of Corrections and Rehabilitation, Huttonsville Correctional Center & Jail to establish a contract for the one-time purchase of **Kitchen Equipment or equal.**

2. **DEFINITIONS:** The terms listed below shall have the meanings assigned to them below. Additional definitions can be found in section 2 of the General Terms and Conditions.
 - 2.1 **“Contract Item”** means the list of items as identified in Section 3.1 below and on the pricing page.

 - 2.2 **“Pricing Page”** means the page, contained in wvOASIS or attached as Exhibit A, upon which Vendor should list its proposed price for the Contract Items.

 - 2.3 **“Solicitation”** means the official notice of an opportunity to supply the State with goods or services that is published by the Division of Administrative Services.

3. **GENERAL REQUIREMENTS:**
 - 3.1 **Mandatory Contract Item Requirements:** Contract Item must meet or exceed the mandatory requirements listed below.
 - 3.1.1 **One New Groen FT-80, 80-gallon Steam Kettle – Stationary, 2/3 Jacket Direct Steam or equal**
 - 3.1.1.1. **Steam Kettle** must be new.
 - 3.1.1.2. **Steam Kettle** must have a minimum of 316 stainless steel liner
 - 3.1.1.3. **Steam Kettle** must have a minimum of 2” sanitary tangent draw-off
 - 3.1.1.4. **Steam Kettle** must have a drain outlet equipped with a minimum of removable ¼” perforated stainless steel strainer.
 - 3.1.1.5. **Steam Kettle** must be able to operate dependably at any steam pressure between a minimum of 5 and 25 PSI
 - 3.1.1.6. **Steam Kettle** must be of the following minimum dimensions: 43” height x 36” width x 38” depth.

REQUEST FOR QUOTATION

ARFQ DCR2500000063

**New Groen FT-80 Steam Kettle, Groen FT-40 Steam Kettle and Crown Pressure Steamer
DC-3 or equal**

3.1.1.7. Steam Kettle must come with a minimum warranty of 1-year parts and labor and minimum 10-year hemisphere warranty, standard.

3.1.1.8. Steam Kettle must come with a minimum of 5-gallon increment etch marks.

3.1.1.9. Steam Kettle must come with a minimum of Z019653 Faucet, single pantry with swing spout.

3.1.1.10. Steam Kettle must come with a minimum of 119374 adjustable flanged foot

3.1.1.11. Steam Kettle must be compatible with a prison setting:

- **Steam Kettle** Must have welded construction with tamper resistant screws where applicable.
- **Steam Kettle** Must have hinged control cover with hasp style lock assembly
- **Steam Kettle** must have a welded handle in lieu of standard
- **Steam Kettle's** TDO must be welded in place to prevent breakage.
- **Steam Kettle** must have a plunger that is tethered in place.

3.1.1.12. Steam Kettle must have a minimum total weight of 252 lbs.

3.1.2 One New Groen FT-40, 40-gallon Steam Kettle – Stationary 2/3 Jacket Direct Steam or equal

3.1.2.1. Steam Kettle must be new.

3.1.2.2. Steam Kettle must have a minimum of 316 stainless steel liner

3.1.2.3. Steam Kettle must have a minimum of 2" sanitary tangent draw-off

3.1.2.4. Steam Kettle must have a drain outlet equipped with a minimum of removable ¼" perforated stainless steel strainer.

3.1.2.5. Steam Kettle must be able to operate dependably at any steam pressure between a minimum of 5 and 25 PSI

3.1.2.6. Steam Kettle must be of the following minimum dimensions: 36" height x 30" width x 33" depth

3.1.2.7. Steam Kettle must come with a minimum warranty of 1-year parts and labor and minimum 10-year hemisphere warranty, standard.

REQUEST FOR QUOTATION

ARFQ DCR250000063

New Groen FT-80 Steam Kettle, Groen FT-40 Steam Kettle and Crown Pressure Steamer
DC-3 or equal

3.1.2.8. Steam Kettle must come with a minimum of 4-gallon increment etch marks.

3.1.2.9. Steam Kettle must come with a minimum of Z019653 Faucet, single pantry with swing spout.

3.1.2.10. Steam Kettle must come with a minimum of 119374 adjustable flanged foot

3.1.2.11. Steam Kettle must be compatible with a prison setting:

Steam Kettle Must have welded construction with tamper resistant screws where applicable.

Steam Kettle Must have hinged control cover with hasp style lock assembly

Steam Kettle must have a welded handle in lieu of standard

Steam Kettle's TDO must be welded in place to prevent breakage.

Steam Kettle must have a plunger that is tethered in place.

3.1.2.12. Steam Kettle must have a minimum of total weight of 252 lbs.

3.1.3 One New Crown Steam DC-3 Direct Steam Pressure Steamer Full Size Pan Capacity or equal

3.1.3.1. Pressure Steamer must have a minimum of three compartments.

3.1.3.2. Pressure Steamer must have a minimum of 36" cabinet base.

3.1.3.3. Pressure Steamer must have independent automatic timer controls with visible and audible signals.

3.1.3.4. Pressure Steamer must have an automatic shut-off.

3.1.3.4. Pressure Steamer must be of a minimum of 304 stainless steel construction.

3.1.3.5. Pressure Steamer must have a minimum of 4 stainless steel legs with adjustable flanged feet.

3.1.3.6. Pressure Steamer must have the following minimum dimensions: 68" height x 36" width x 33.88" depth.

3.1.3.7. Pressure Steamer must come with a minimum of 1-year limited warranty.

3.1.3.8. Pressure Steamer must operate dependably at a minimum of 35 PSI standard.

3.1.3.9. Pressure Steamer's cabinet door must have a locking provision.

3.1.3.10. Pressure Steamer must have correctional screws and tack welds

REQUEST FOR QUOTATION
ARFQ DCR2500000063
New Groen FT-80 Steam Kettle, Groen FT-40 Steam Kettle and Crown Pressure Steamer
DC-3 or equal

where applicable.

3.1.3.11. Pressure steamer must have steel hinged covers over the control panel with locking provision.

4. CONTRACT AWARD:

4.1 Contract Award: The Contract is intended to provide Agencies with a purchase price for the Contract Items. The Contract shall be awarded to the Vendor that provides the Contract Items meeting the required specifications for the lowest overall total cost as shown on the Pricing Pages.

4.2 Pricing Page: Vendor should complete the Pricing Page by inserting a unit price, multiplied by the indicated quantity to arrive at an extended price. Vendor should complete the Pricing Page in full as failure to complete the Pricing Page in its entirety may result in Vendor's bid being disqualified.

Vendor should type or electronically enter the information into the Pricing Page to prevent errors in the evaluation. In most cases, the Vendor can request an electronic copy of the Pricing Pages for bid purposed by sending an email request to the following address: wassef.maazaoui@wv.gov.

4.3 Confidentiality Policies and Information Security Accountability: Vendor agrees to adhere to the Confidentiality Policies and Information Security Accountability Requirements Which can be found at: <https://www.state.wv.us/admin/purchase/privacy/> At the Agencies discretion, the Agency can require the Vendor and its employees to execute the Confidentiality Agreement.

5. PAYMENT:

5.1 Payment: Vendor shall accept payment in accordance with the payment procedures of the State of West Virginia.

REQUEST FOR QUOTATION
ARFQ DCR250000063
New Groen FT-80 Steam Kettle, Groen FT-40 Steam Kettle and Crown Pressure Steamer
DC-3 or equal

6. DELIVERY AND RETURN:

6.1 Shipment and Delivery: Vendor shall ship the Contract Items immediately after being awarded this Contract and receiving a purchase order or notice to proceed. Vendor shall deliver the Contract Items within 30 working days after receiving a purchase order or notice to proceed. Contract Items must be delivered to Agency at 109 HCC Blvd., Huttonsville, WV 26273.

6.2 Late Delivery: The Agency placing the order under this Contract must be notified in writing if the shipment of the Contract Items will be delayed for any reason. Any delay in delivery that could cause harm to an Agency will be grounds for cancellation of the Contract, and/or obtaining the Contract Items from a third party.

Any Agency seeking to obtain the Contract Items from a third party under this provision must first obtain approval of the Division of Administrative Services.

6.3 Delivery Payment/Risk of Loss: Vendor shall deliver the Contract Items F.O.B. destination to the Agency's location.

6.4 Return of Unacceptable Items: If the Agency deems the Contract Items to be unacceptable, the Contract Items shall be returned to Vendor at Vendor's expense and with no restocking charge. Vendor shall either make arrangements for the return within five (5) days of being notified that items are unacceptable or permit the Agency to arrange for the return and reimburse Agency for delivery expenses. If the original packaging cannot be utilized for the return, Vendor will supply the Agency with appropriate return packaging upon request. All returns of unacceptable items shall be F.O.B. the Agency's location. The returned product shall either be replaced, or the Agency shall receive a full credit or refund for the purchase price, at the Agency's discretion.

6.5 Return Due to Agency Error: Items ordered in error by the Agency will be returned for credit within 30 days of receipt, F.O.B. Vendor's location. Vendor shall not charge a restocking fee if returned products are in a resalable condition. Items shall be deemed to be in a resalable condition if they are unused and in the original packaging. Any restocking fee for items not in a resalable condition shall be the lower of the Vendor's customary restocking fee or 5% of the total invoiced value of the returned items.

REQUEST FOR QUOTATION
ARFQ DCR250000063
New Groen FT-80 Steam Kettle, Groen FT-40 Steam Kettle and Crown Pressure Steamer
DC-3 or equal

7 VENDOR DEFAULT:

7.1 The following shall be considered a vendor default under this Contract.

- 7.1.1 Failure to provide Contract Items in accordance with the requirements contained herein.
- 7.1.2 Failure to comply with other specifications and requirements contained herein.
- 7.1.3 Failure to comply with any laws, rules, and ordinances applicable to the Contract Services provided under this Contract.
- 7.1.4 Failure to remedy deficient performance upon request.

7.2 The following remedies shall be available to Agency upon default.

- 7.2.1 Immediate cancellation of the Contract.
- 7.2.2 Immediate cancellation of one or more release orders issued under this Contract.
- 7.2.3 Any other remedies available in law or equity.

8 MISCELLANEOUS:

1.1 No Substitutions: Vendor shall supply only Contract Items submitted in response to the Solicitation unless a contract modification is approved in accordance with the provisions contained in this Contract.

1.2 Vendor Supply: Vendor must carry sufficient inventory of the Contract Items being offered to fulfill its obligations under this Contract. By signing its bid, Vendor certifies that it can supply the Contract Items contained in its bid response.

REQUEST FOR QUOTATION

ARFQ DCR250000063

New Groen FT-80 Steam Kettle, Groen FT-40 Steam Kettle and Crown Pressure Steamer
DC-3 or equal

1.3 Reports: Vendor shall provide quarterly reports and annual summaries to the Agency showing the Agency's items purchased, quantities of items purchased, and total dollar value of the items purchased. Vendor shall also provide reports, upon request, showing the items purchased during the term of this Contract, the quantity purchased for each of those items, and the total value of purchases for each of those items. Failure to supply such reports may be grounds for cancellation of this Contract.

1.4 Contract Manager: During its performance of this Contract, Vendor must designate and maintain a primary contract manager responsible for overseeing Vendor's responsibilities under this Contract. The Contract manager must be available during normal business hours to address any customer service or other issues related to this Contract. Vendor should list its Contract manager and his or her contact information below.

Contract Manager: Samantha Gonzalez
Telephone Number: 719-542-8853 ext. 435
Fax Number: 719-542-8857
Email Address: samantha@gogradys.com